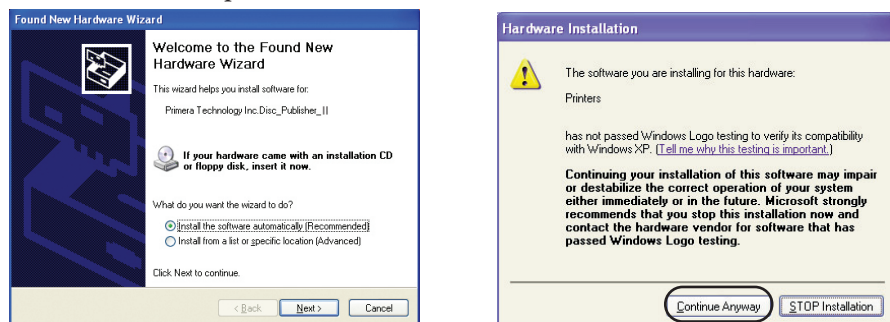


6b Installing the Printer Driver (Windows XP)

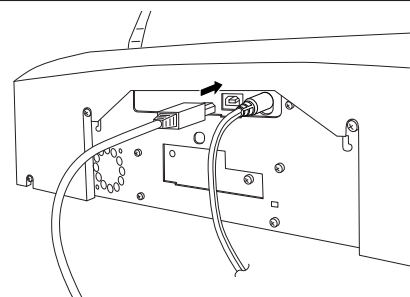
Connect the Printer to your PC with your beige USB 2.0 Cable.

After a few moments, Windows will tell you it has found new hardware and is looking for software to install it.

Select "Install the software automatically" and follow through the wizard to complete the installation.

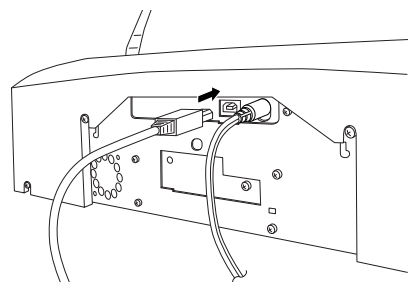


You will be prompted that the software has not passed Windows Logo Testing. You must click **Continue Anyway** to finish the installation.



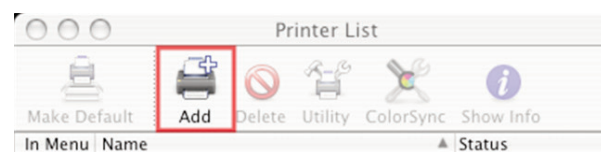
6c Installing the Printer Driver (Mac)

Connect the Printer to your PC with your beige USB 2.0 Cable.

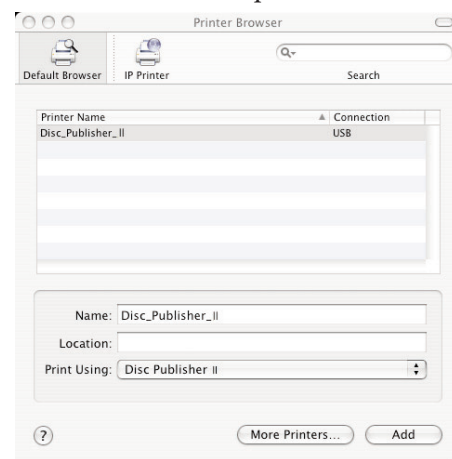


Add the printer via the Printer Setup Utility.

1. Open the Printer Setup Utility located in the Applications - Utilities folder.



2. Click **Add**. Select the Disc Publisher II from the list of available printers. Click **Add** again.

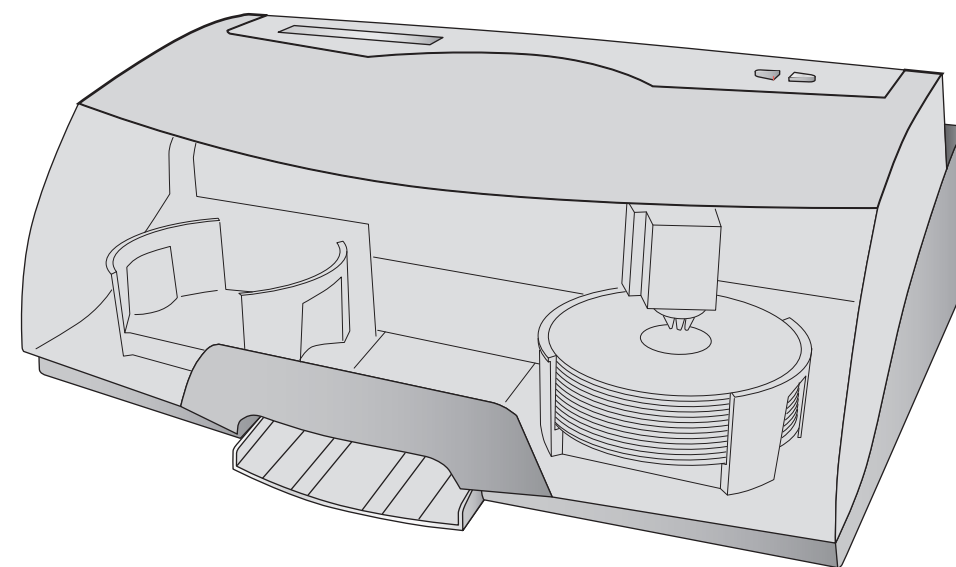


7 Finish Software Installation

If you are using a PC, the installer disc will prompt you to install the SureThing Label Design software. You will then be prompted to restart the computer.

Congratulations, you are now ready to start Printing discs!

- For Instructions on printing a disc using a PC refer to section 3 in the User's Manual.
- For Instructions on printing a disc using a Macintosh refer to section 4 in the User's Manual.
- For help with problems printing discs using a PC or Macintosh please visit Primera's online Knowledgebase at: <http://primera.com/knowledgebase.html>



Quick Start

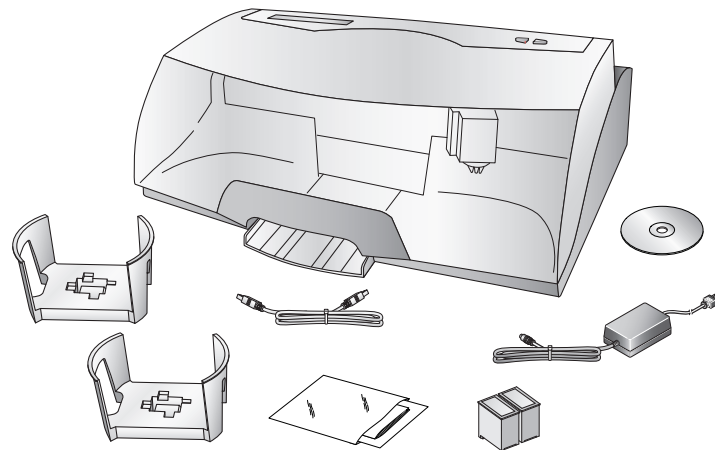
PRIMERA

© 2009 All rights reserved.

1 Unpack Your Printer

- Optical Disc Printer
- Gray Plastic Input and Output Bins
- Switching Power Supply with Power Cord
- One Three-Color (CMY) Ink Cartridge
- One Monochrome Black Ink Cartridge
- QuickStart Installer Disc
- USB 2 Interface Cable (Beige)
- This Quick Start Guide and Other Printed Information

Save the carton and packing materials. They will come in handy later if you ever need to transport the Printer and/or any of its parts and accessories.



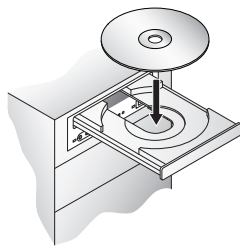
2 Installing the Software

PC

1. Place the Installer CD in your CD-ROM Drive. The Installer application will automatically launch in a few moments.

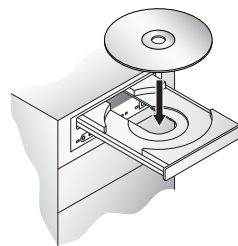
2. Click **Standard Install** to begin the installation. You may follow either the steps shown in this Quick Start or the steps shown in the installer to complete the installation.

Note: If the Installer does not start, open My Computer on your desktop. Double-click the icon of the appropriate CD drive containing the Software Installer disc. Double-click *Installer.exe*.



Mac

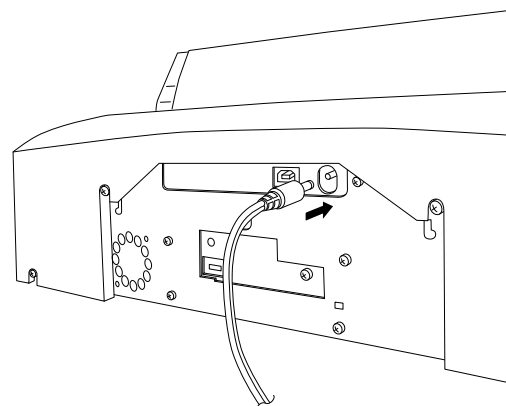
1. Insert the Installation CD-ROM in your system's CD-ROM drive.
2. Double-click the CD-ROM icon.
3. Double-click on the **Disc Publisher Installer.mpkg** file icon. Follow the on-screen instructions.



3 Applying Power

Be sure you have removed the packing tape and cardboard insert prior to applying power.

- Locate the power adapter supplied with your Printer.
- Place one end of the adapter cord into the power port on the rear panel of the Printer.
- Unit will initialize for approximately 30 seconds.



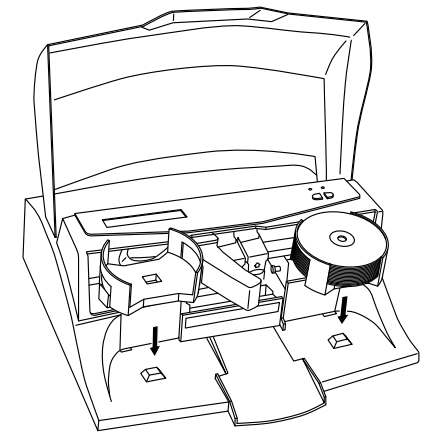
4 Loading Media (Discs)

NOTE: Your Printer can print directly onto virtually any brand of printable-surface CD/DVD media. However, different brands of discs have different printable coatings. Because of this, you may need to adjust the printer driver settings to accommodate your specific brand of CD/DVD media. Refer to Section 3C or 4C for further printer driver information.


For maximum print quality, use CD/DVD media authorized by Primera.

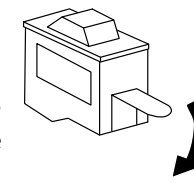
Refer to the following steps when loading discs in to the Printer:

- Open the front cover of the Printer.
- The Printer will automatically position the cartridge carrier and Robotic Disc Transporter to the center position allowing for easy access to the bins.
- Load the Input Bin (the bin located on the right-hand side of the Publisher) with 25 blank discs and place the bins on the mounting pegs.



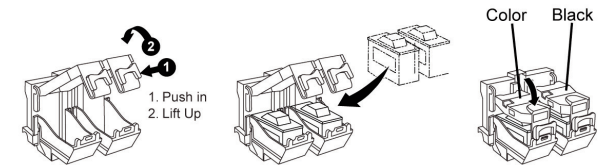
5 Installing Ink Cartridges

- Press the Ink Cartridge Button  to move the Ink Cartridge Carrier to the load position and open the ink cartridge covers.
- Remove each ink cartridge from its packaging.
- Slowly remove the tape covering the cartridge's print head, being careful to avoid damaging the barcode label on the underside of the cartridge.



DO NOT TOUCH THE COPPER AREA!

- Insert the ink cartridges into the carrier, copper end first and snap the cartridge cover in place. Insert the color in the left holder, monochrome black in the right cartridge holder.
- Close the Printer's front cover.



6a Installing the Printer Driver (Windows Vista)

Click the "Install Driver" button when prompted to do so by the installation disc.

Files will begin to copy to your hard drive.

You will be prompted that Windows can't verify the publisher of this driver software. Click **Install the driver software anyway**.

Finally, connect the Printer to your PC with your beige USB 2.0 Cable.

