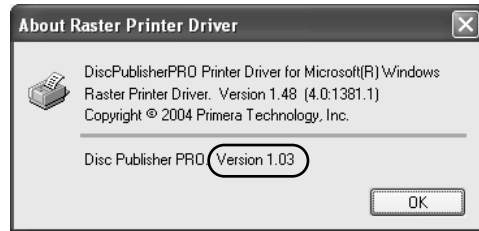


This sheet describes the installation and use of the CD-R Business Card Adapter Kit for the Disc Publisher Pro and the AutoPrinter Pro (referred to hereafter as the "Publisher").

NOTE: You will need to download and install the updated printer driver if you have a version lower than 1.03.

- To find your driver version, go to Start - Control Panel - Printers and Faxes - Right Click on Disc Publisher Pro - Choose Printing Preferences - Right Click on Disc Publisher Pro Settings - Choose About... The version below the line should read 1.03 or higher. If it does not, perform the upgrade.
- To install the driver, first download it from our web site: http://www.primera.com/primera_printer_drivers.html. Refer to the installation instructions included with the driver file.



SECTION I: INSTALLATION

- Make sure that in this box you have the following items:
 - CD Business Card/ Mini CD 80mm Input Bin
 - "Hockey Rink" Card Input Bin
 - Two Output Rings
 - Three Printer Tray Templates
 - Sample Discs
- Remove original 120mm Input Bin and place the appropriate Card/Mini Disc Input Bin on the right side of the Publisher with the opening in the bin to the rear. *If the opening in the bin is not toward the rear, the Robotic Disc Transporter will not be able to pick from the bin.*

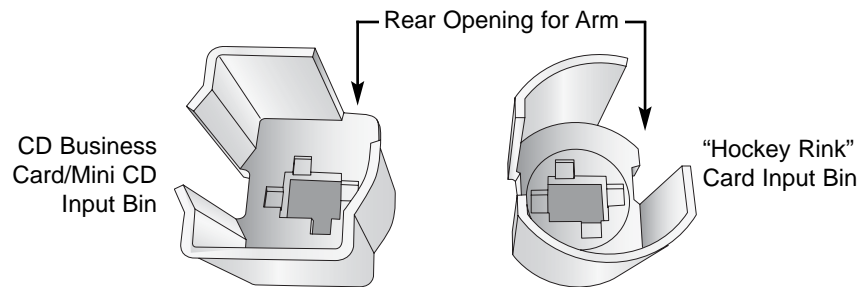


Figure 1: Input Bins

- Place **Output Rings** in the center of the Output Bin on the left side of the Publisher as shown in **Figure 3**.
- With the **Front Cover** of the Publisher closed, press the **Cartridge Button**. The **Printer Tray** will open. Open the **Front Cover** and install the appropriate Printer Tray Template in the **Printer Tray** as shown in **Figure 3**. The front of the Template has molded tabs that fit into locating slots found toward the front of the **Printer Tray**. When properly installed, the metal clamp moves forward to hold the card in place as the **Printer Tray** retracts into the printer.

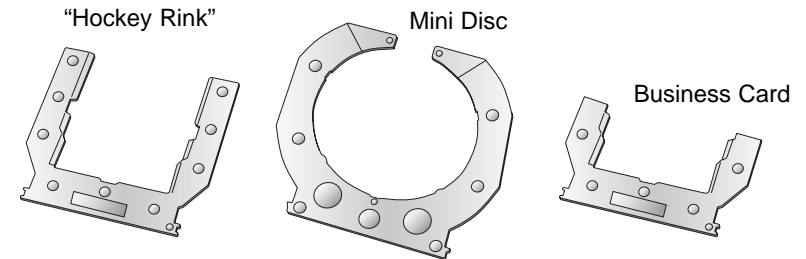


Figure 2: Printer Tray Templates

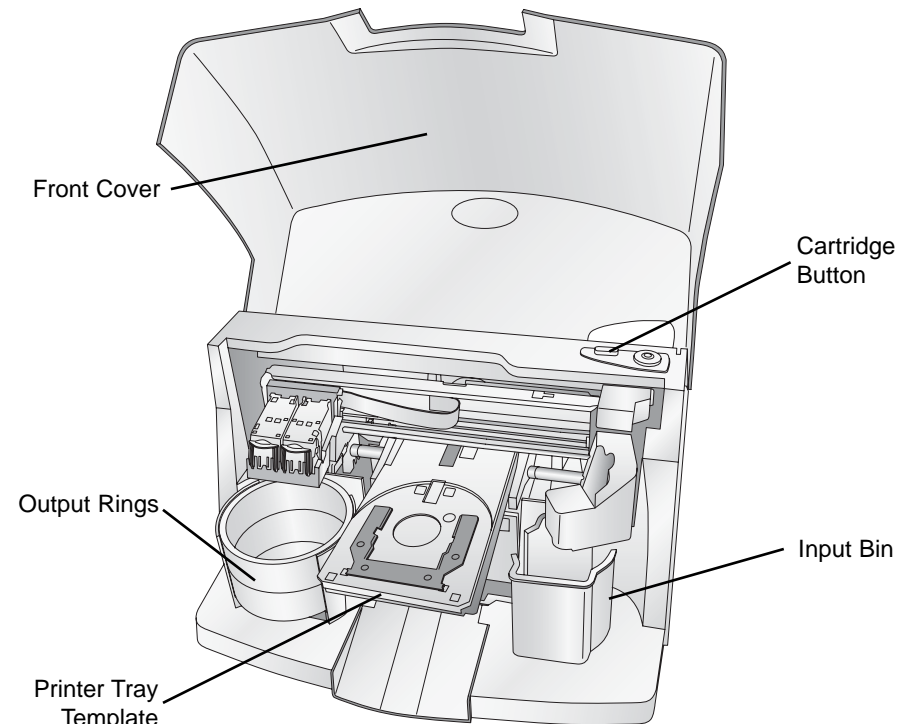
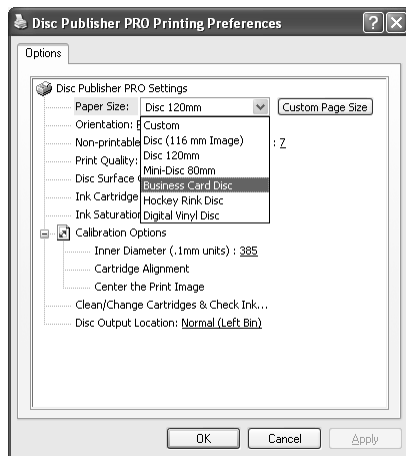
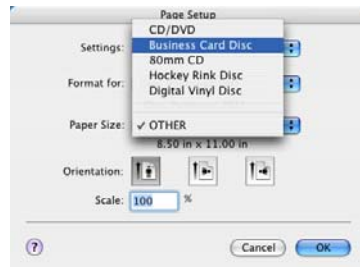


Figure 3: Adapter Kit

- 80mm Discs can be produced in the same manner as standard 120mm discs. ***When printing business card or hockey rink card types on the PC, it is necessary to record and print the cards in two separate steps.*** To record, first load the input bin with blank CD-R Business Cards. Next, create your recording job as described in the User's Manual making sure to disable the Print option in Primo DVD's Recording Job Window. **On the Mac**, you have the option in Discscribe under the **Robot Write** pane to print before recording, which will allow you to make the cards in one step.
- Once your Business Cards have finished recording, reload them in the input bin for printing. When printing one of the three sizes supported by this adapter kit, you will need to select the proper card size in the driver as shown in Figure 4. Simply print the number of desired copies from SureThing CD Labeler. The Publisher will automatically load and unload the discs.



Page Size Settings for PC



Page Size Settings for Mac



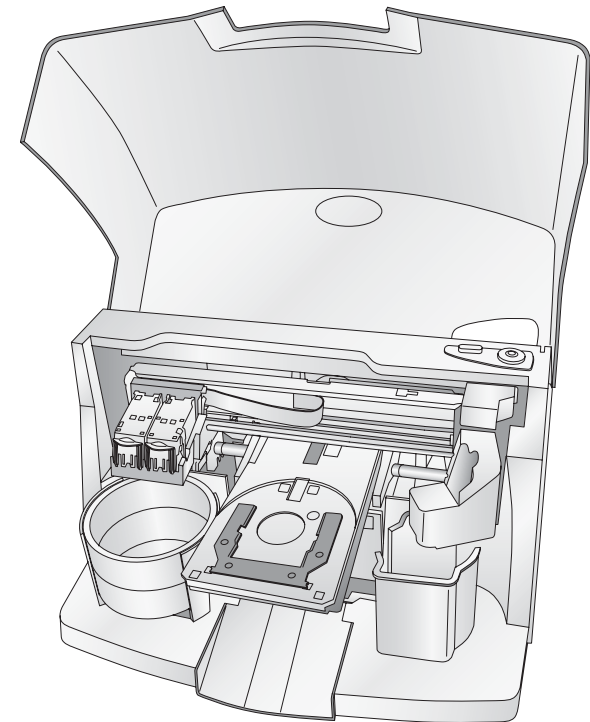
Print First Option for Mac

Figure 4: Disc Type

Congratulations! You are now ready to create your own CD Business Cards and Mini CDs.

Business Card Adapter Kit

For Use with Disc Publisher Pro



Operator Instructions

PRIMERA

© 2003 All rights reserved