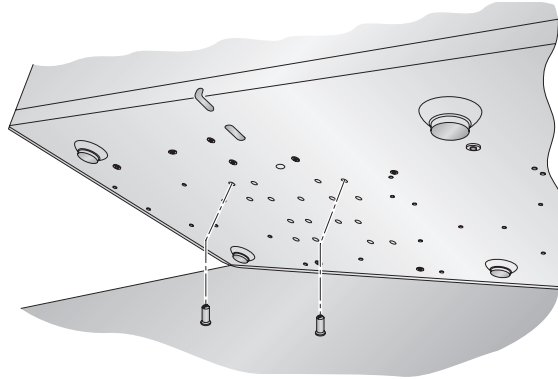


5 Installing the Disc Publisher

- Open the cover of the Disc Publisher.
- Lower the Disc Publisher onto the stand. The pegs will correspond with the holes on the bottom of the unit. There are several sets of holes on the bottom of the Disc Publisher. The pegs fit in the front-most and outer most set of holes.

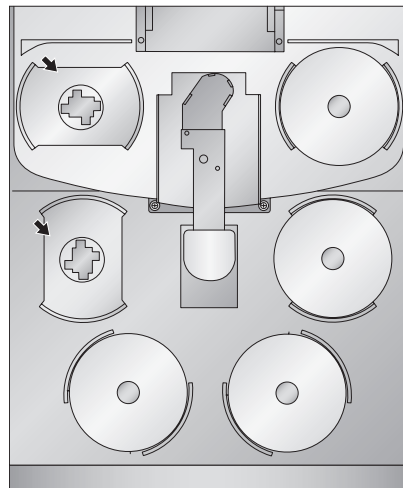


- Install the cables, ink cartridges etc. according to the instructions in the Disc Publisher users manual. The software for the Disc Publisher should have been installed before starting the ADL-MAX setup.

6 Loading Media

- Load up to 100 discs in each of the bins. Place them on the mounting pegs of the unit.

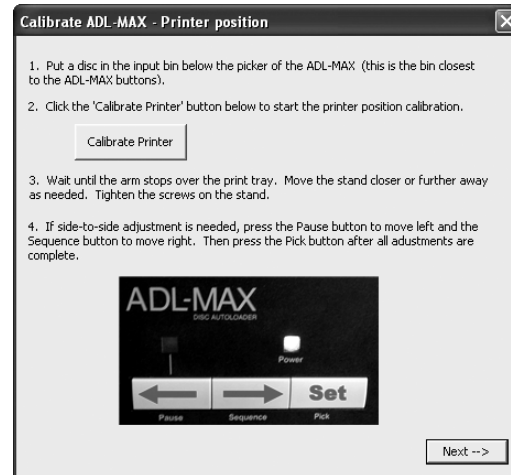
Note: Be sure the far left side bin on the Autoloader and Disc Publisher are left empty.



- Load up to 50 discs into the right bin of the Disc Publisher Pro and up to 25 discs in a Disc Publisher.

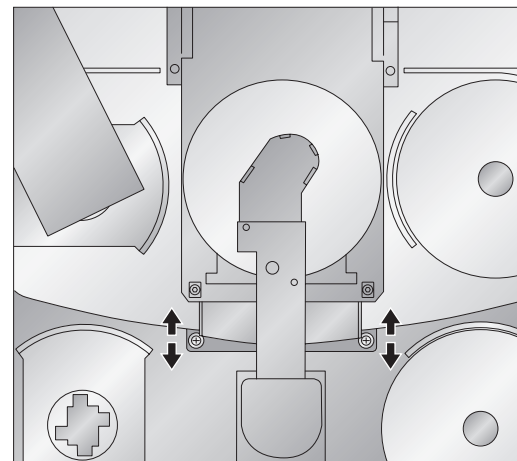
7 Calibrating the Autoloader to the Disc Publisher

- Calibrate the arm to the Disc Publisher by opening the PrimoDVD software or the RoboPrint Software. The software will detect the ADL-MAX and prompt you to calibrate. Follow the on screen instructions to calibrate the unit.

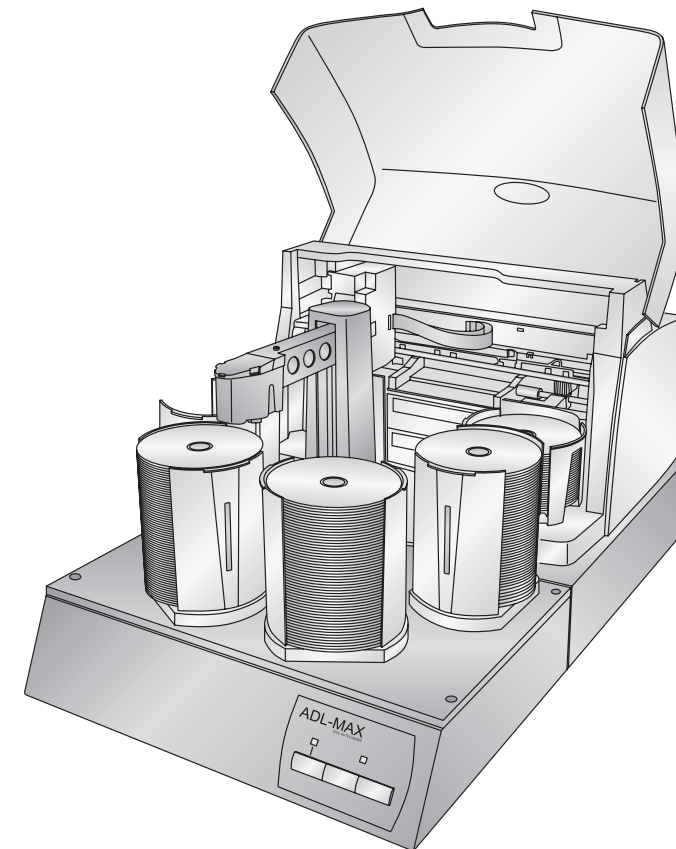


You can recalibrate at any time by opening Primo DVD - Click the robotics menu - select options - Click the **Calibrate ADL-MAX** button. If you are using RoboPrint, click **Robot Options - Calibrate ADL-MAX**.

- After calibrating the Disc Publisher position by moving the stand forward or backward, make sure you tighten the mounting bolts to the stand.



Note: The first time you launch the PrimoDVD or RoboPrint software you may be directed to a web page to download and install a firmware update for your Disc Publisher or AutoPrinter. Follow the instructions on the web page to complete this update.



PRIMERA

© 2006 All rights reserved

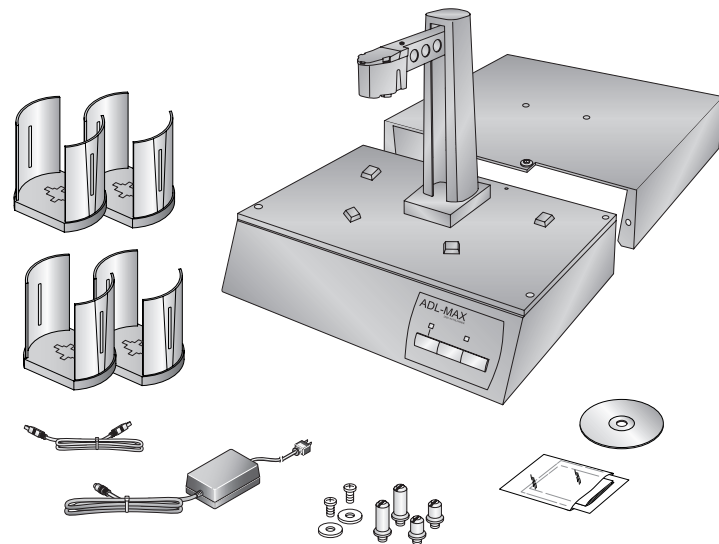
P/N 510976 - 091906

Quick Start

1 Unpacking Your Autoloader

The following items are contained inside the box:

- ADL-MAX
- Disc Publisher Stand
- 4 Gray Plastic Input and Output Bins
- Power Cord and Converter
- USB Cable
- Disc Publisher Mounting Pegs
- 2 Disc Publisher Stand adjustment Bolts and Washers
- Warranty Card
- This Operator's Manual, Quick Start Guide and Other Printed Information



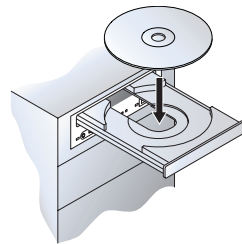
Save the carton and packing materials. They will come in handy later if you ever need to transport the Autoloader and/or any of its parts and accessories.

2 Installing the Software

Important Note: You must install the software for your Disc Publisher before you install the ADL-MAX software.

The Installer Disc has a menu that will guide you through the process of setting up your Autoloader. Please refer to the following for more information on each step:

1. Place the Autoloader Installer CD in your CDROM Drive. The Installer application should automatically launch in a few moments. If it does, proceed to Step 2.

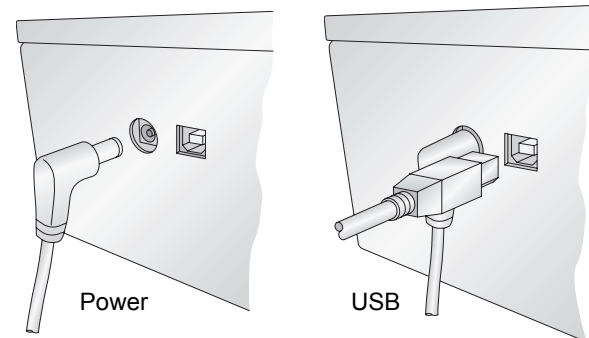


If it does not automatically launch, follow these steps:

- Double-click the My Computer Icon, then double-click the icon of the appropriate CD drive containing the Software Installer disc.
 - Double-click Installer.exe
2. In the Installer Application, click the Standard Install button. The on screen instructions will guide you step-by-step through the installation process. To complete the installation and setup you may follow the on screen instructions or the instructions that follow.

3 Connecting the Cables

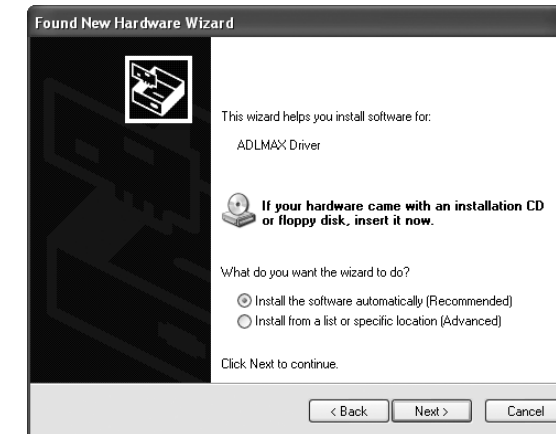
- Remove the tape securing the arm to the base plate of the Autoloader.
- Locate the power cord supplied with your unit.
- Plug the adapter into a surge protected outlet, and plug the power plug into the power port on the rear panel of the Publisher.
- Connect the unit to your PC with your beige USB Cable. After a few moments, Windows will tell you it has found new hardware and is looking for software to install it.



3 Connecting the Cables

(continued)

- Select "Install the software automatically" and click Next.

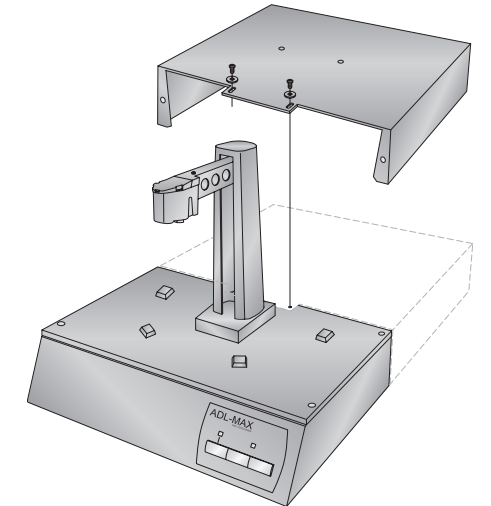


You may see a notice like the one shown here stating that the software has not passed Windows Logo Testing. Click **Continue Anyway** to continue installing the driver for your Autoloader.

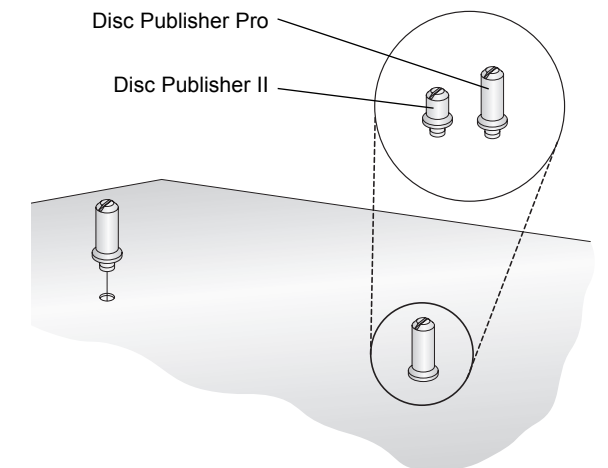


4 Installing the Disc Publisher Stand

- Lower the Disc Publisher Stand onto the Autoloader so that the metal tab on the stand overlaps the base plate and the holes on the stand line up with the screw holes on the base plate.



- Attach the appropriate mounting pegs to the stand.



- Attach the stand to the unit using the adjustment bolts and the washers. **Do not tighten the bolts at this point!**

