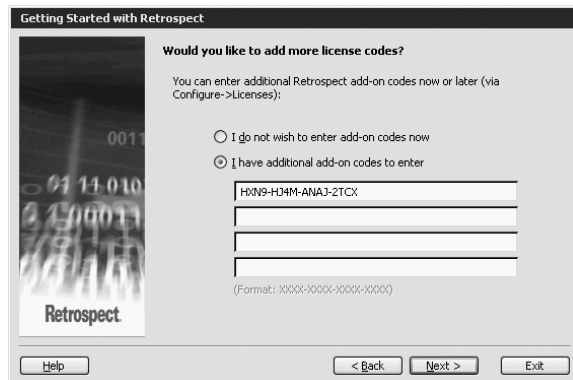


## 7 Opening the Software for the First Time

The first time you open the Retrospect software a wizard will guide you through several steps to complete the setup. Follow the steps and click **Next** to complete the setup.

If you will be using the Exchange Database/ Mailbox backup feature it is important that you enter the License code when prompted by the setup wizard to add more license codes.

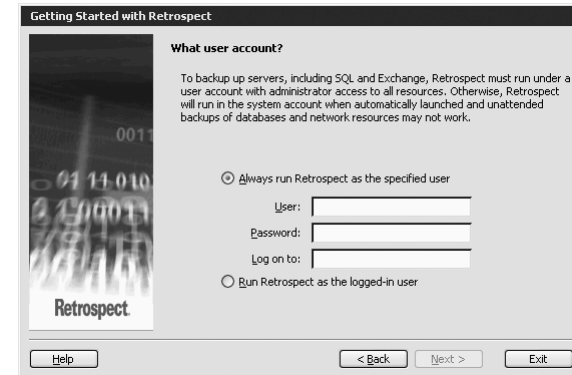
License Code HXN9-HJ4M-ANAJ-2TCX



In order to receive two free desktop client licenses, you must register the software. You will be prompted to register during the start up wizard.

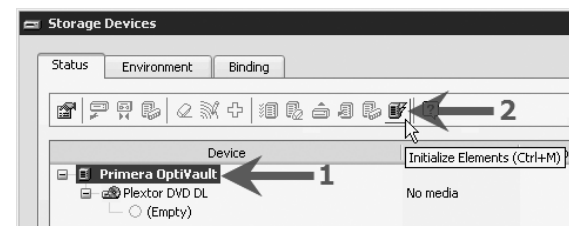


It is also important that the user logged in to run Retrospect has rights to access the Exchange Server. You can set Retrospect to always run as a user with these rights or run as the logged-in user. In either case make sure the user has necessary rights to access the Exchange server.



**Reloading Media:** Any time media is moved or removed from the OptiVault it is necessary to clear the media location memory before continuing backup operations. Use the following procedure each time you reload media:

1. Remove all discs from the backup set except for the last disc of each set. Put them in the left bin. *Note: Burned discs could be in the right or left bin.*
2. Reload blank media in the right bin so the total number of discs in the unit does not exceed 25 discs. Remember, the last disc may be located in the drive so don't forget to include it in your media count!
3. Open Configure on the left navigation menu. Click **Devices**.
4. Click on **Primera OptiVault** to Highlight it. Click on the **Initialize Elements** button to clear the media location memory.

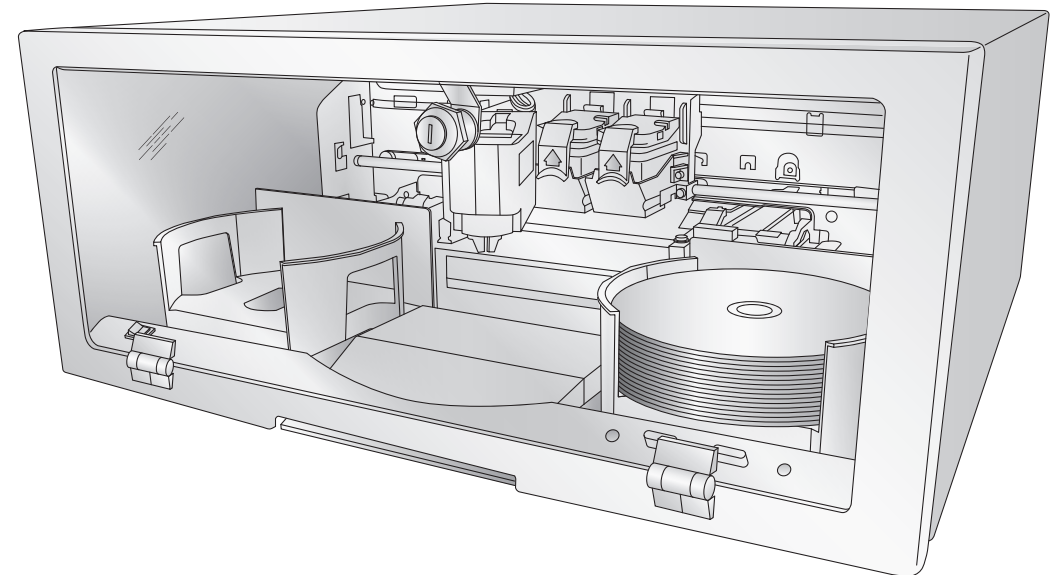


## 8 Performing a Backup

- For instructions on performing a backup or a restore using the Retrospect Software refer to section 4 in the User's Manual.
- For help with problems setting up a backup job please visit Primera's online Knowledgebase at [www.primera.com/knowledgebase.html](http://www.primera.com/knowledgebase.html)

# OptiVault™

## Archival Appliance



# Quick Start

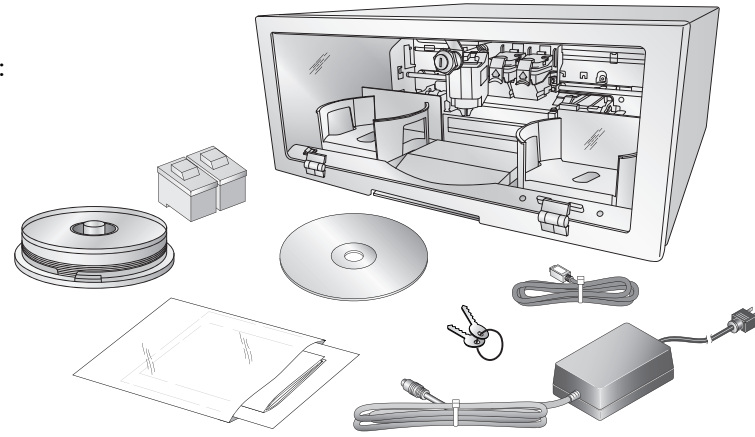
# PRIMERA

© 2005 All rights reserved.

## 1 Unpack Your OptiVault

The following items are contained inside the box:

- OptiVault
- Gray Plastic Input and Output Bins (Located in the Cardboard Insert)
- Switching Power Supply with Power Cord
- One Three-Color (CMY) Ink Cartridge
- One Monochrome Black Ink Cartridge
- QuickStart Installer Disc
- USB 2.0 Interface Cable
- Keys
- Warranty Card
- 10 Pack Primera TuffCoat Archival Media
- This Operator's Manual, Quick Start Guide and Other Printed Information

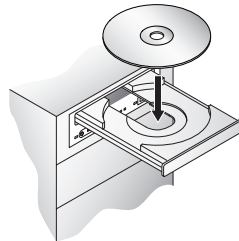


**TIP!** Save the carton and packing materials. They will come in handy later if you ever need to transport the OptiVault and/or any of its parts and accessories.

## 2 Installing the PC Software

The Installer Disc will guide you through the process of setting up your OptiVault. Please refer to the following for more information on each step:

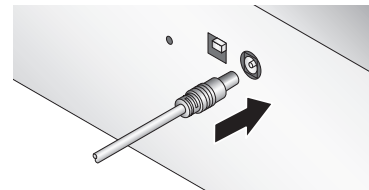
1. Place the OptiVault Installer CD in your CD-Rom Drive. The Installer application should automatically launch in a few moments. If it does, proceed to Step 2. If it does not automatically launch, follow these steps:
  - Double-click the **My Computer** Icon, then double-click the icon of the appropriate CD drive containing the Software Installer disc
  - Double-click **Installer.exe**
2. In the Installer Application, click **Standard Install**. The Standard Install will guide you step-by-step through the installation process. As you complete each step, click the Next Arrow. Steps 3-6 are shown below as well as on the monitor. You may follow either to complete the setup.



## 3 Applying Power

Be sure you have removed the packing tape and cardboard insert prior to applying power.

- Locate the power adapter supplied with your OptiVault.
- Place one end of the adapter cord into the power port on the rear panel of the OptiVault and the other end into a power outlet.
- Unit will initialize for approximately 30 seconds.



## 4 Loading Media (Discs)

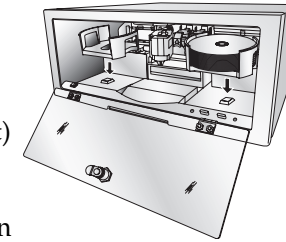
**Note on Loading Media:** Only 25 discs total can be loaded into the input bin, output bin and drive at any one time.

**Note on Media:** For reliable, consistent operation of your OptiVault, we strongly encourage you to use only genuine Primera TuffCoat Archival Media available at [www.primera.com](http://www.primera.com). There are documented quality differences between different brands of media. Primera has not researched the archival life nor can it support the recording characteristics and/or performance of other brands of optical media.

## 4 Loading Media (Discs) continued

Refer to the following steps when loading discs in to the OptiVault:

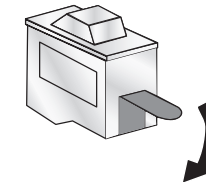
- Open the front cover of the OptiVault
- The OptiVault will automatically position the cartridge carrier and Robotic Disc Transporter to the center position allowing for easy access to the bins.
- Load the Input Bin (the bin located on the right-hand side of the OptiVault) with up to 25 blank discs and place the bins on the mounting pegs.



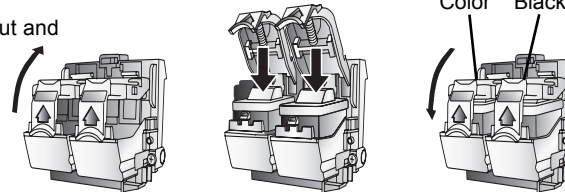
**Note:** Bins are located inside the Cardboard Insert!

## 5 Installing Ink Cartridges

- Press the Ink Cartridge Button to move the Ink Cartridge Carrier to the load position and open the ink cartridge covers
- Remove each ink cartridge from its packaging
- Slowly remove the tape covering the cartridge's print head, being careful to avoid damaging the barcode label on the underside of the cartridge. **DO NOT TOUCH THE COPPER AREA!**
- Insert the ink cartridges into the carrier, copper end first and snap the cartridge cover in place. Insert the color in the left holder, monochrome black in the right cartridge holder.



Pull out and lift up

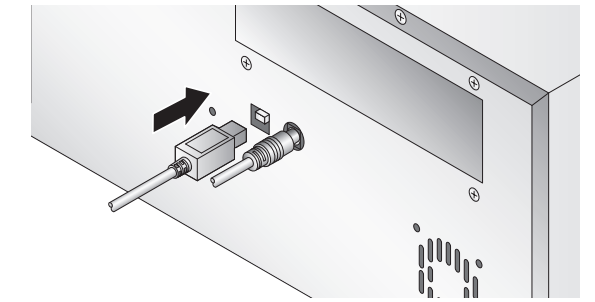


- Close and lock the OptiVault's front cover.

**Note:** The OptiVault will not function unless the front cover is closed and locked!

## 6 Connecting the USB 2.0 Cable

Connect the OptiVault to your computer with the USB 2.0 Cable.



If you are using Windows, after a few moments a found new hardware wizard will appear.

Select "Install the software automatically" and click **Next**. Make sure that you have your installation disc in a drive on your computer.



You may see a notice like the one shown below stating that the device has not passed Windows Logo Testing. Click **Continue Anyway** to continue installing the printer driver for your OptiVault.



In the installer application, follow the steps shown on your monitor to complete the installation of the Retrospect and SureThing software.