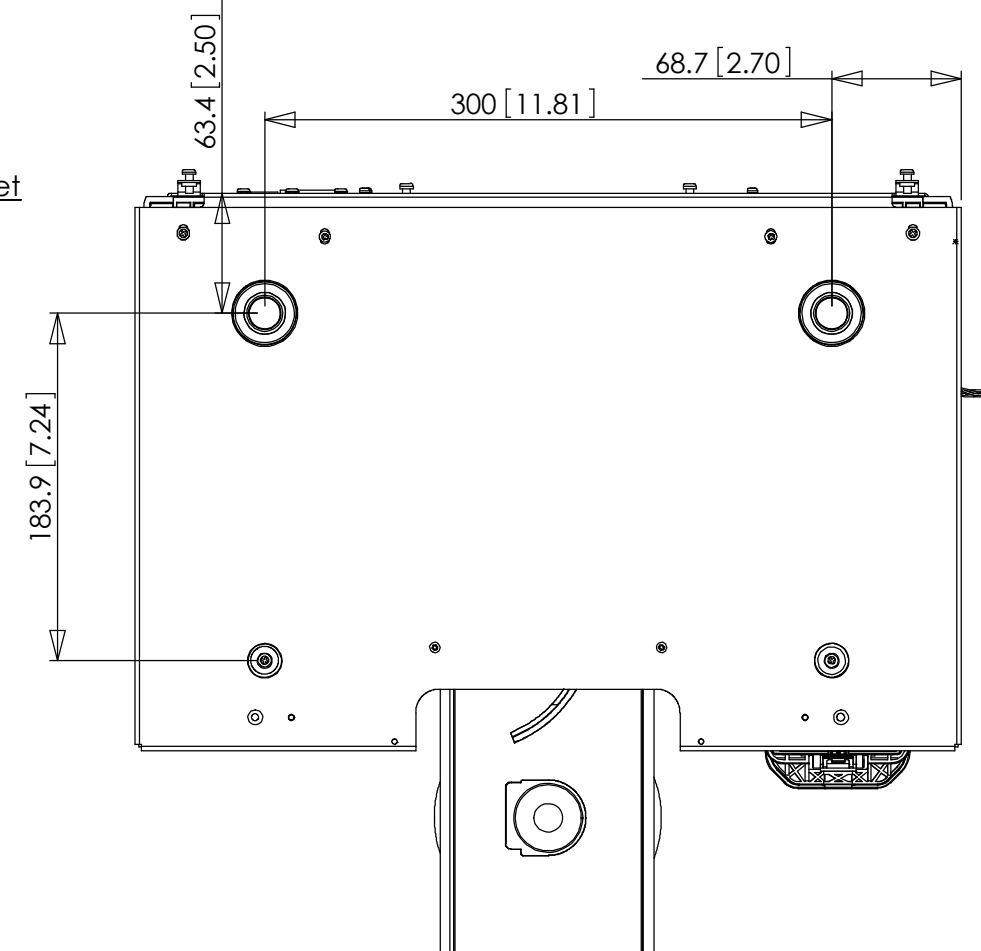
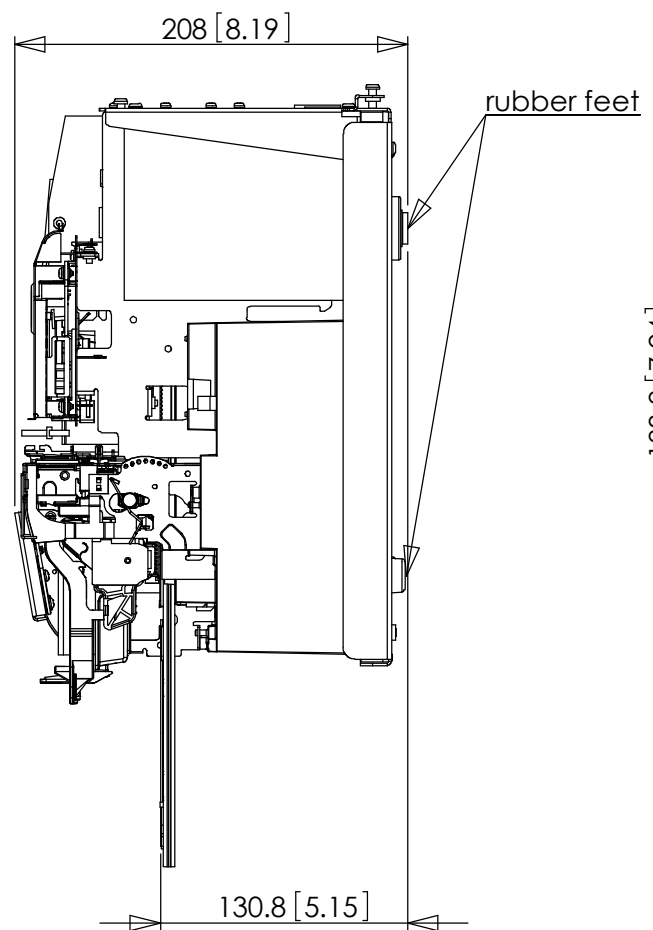
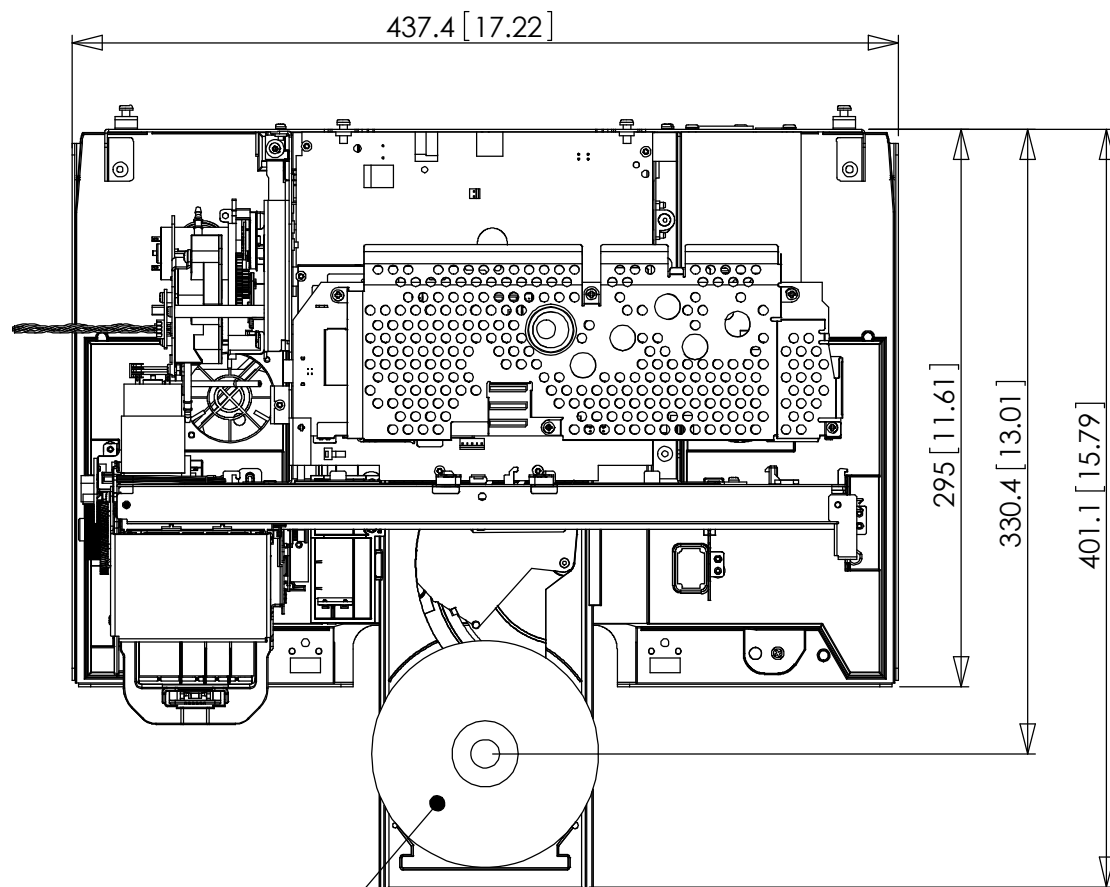
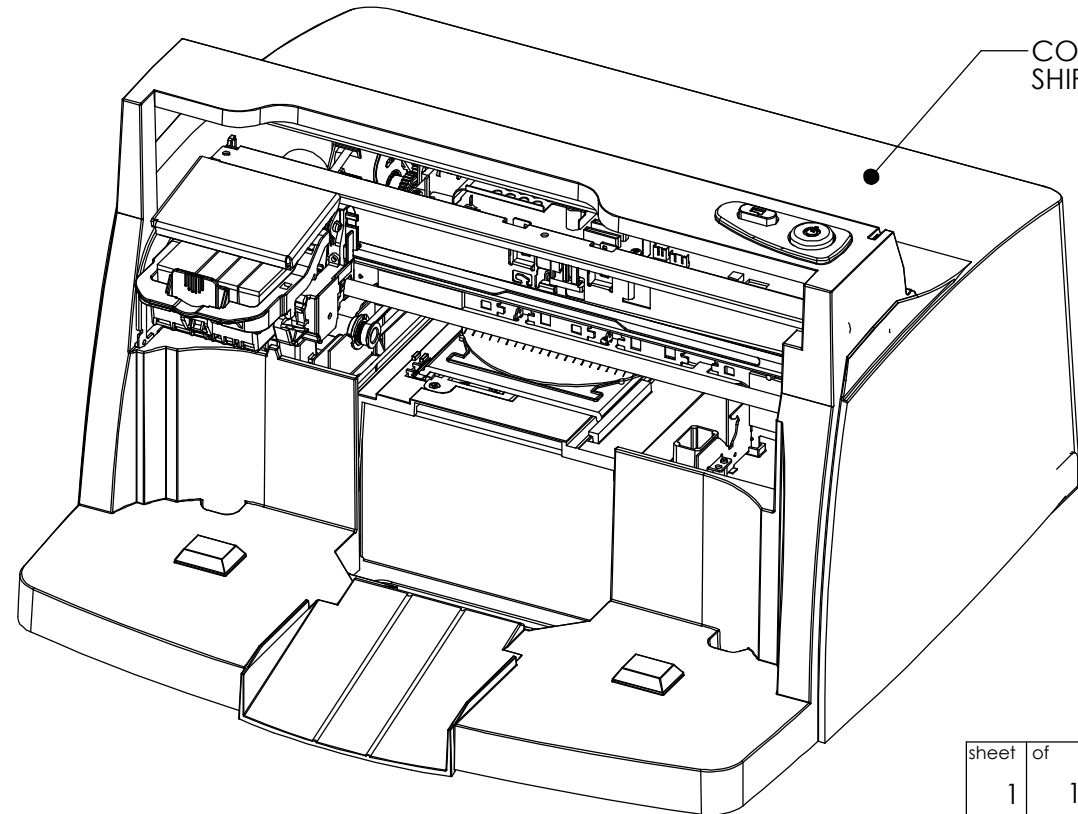
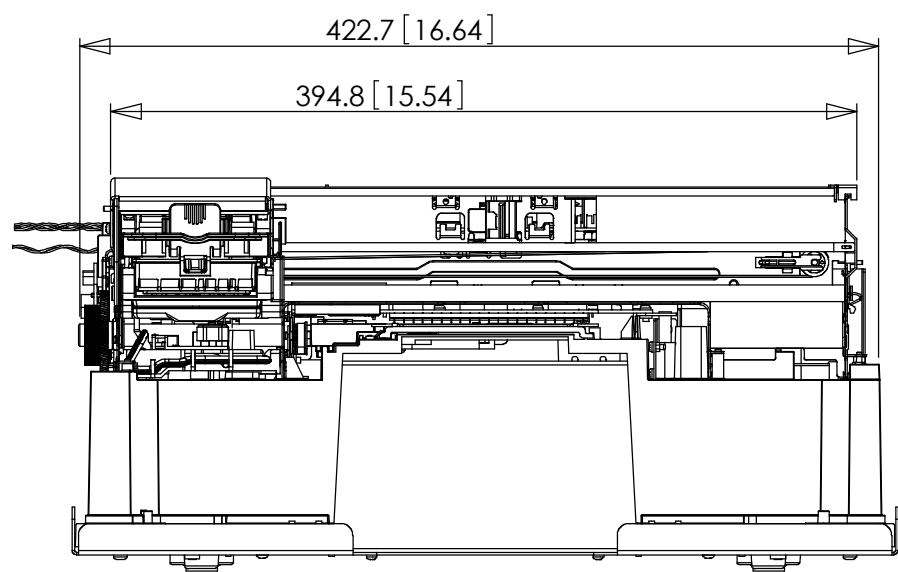


8 7 6 5 4 3 2 1

F  
E  
D  
C  
B  
A



disc-tray fully extended



drawn by	EH	date	2011-01-19	<b>PRIMERA TECHNOLOGY, INC.</b>  This document is the property of PRIMERA Technology, Inc. It contains confidential and proprietary information. Unauthorized duplication or disclosure is prohibited.	third angle projection 	do not	project
dim units	x.xx lin tol					scale dwg	Bravo 3
mm[in]							
scale	x.xx lin tol						
size	x.xx ang tol						
sheet	of	part description				part id	
1	1	LAYOUT-4100 DISC PRINTER					063529

8 7 6 5 4 3 2 1